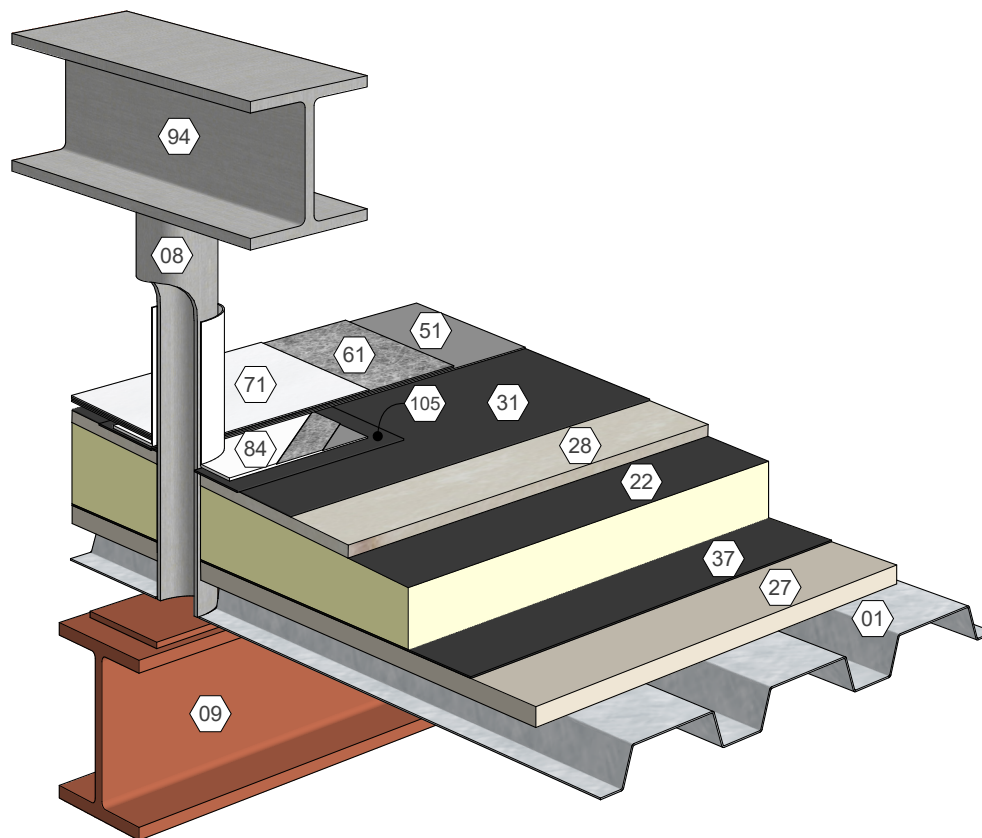
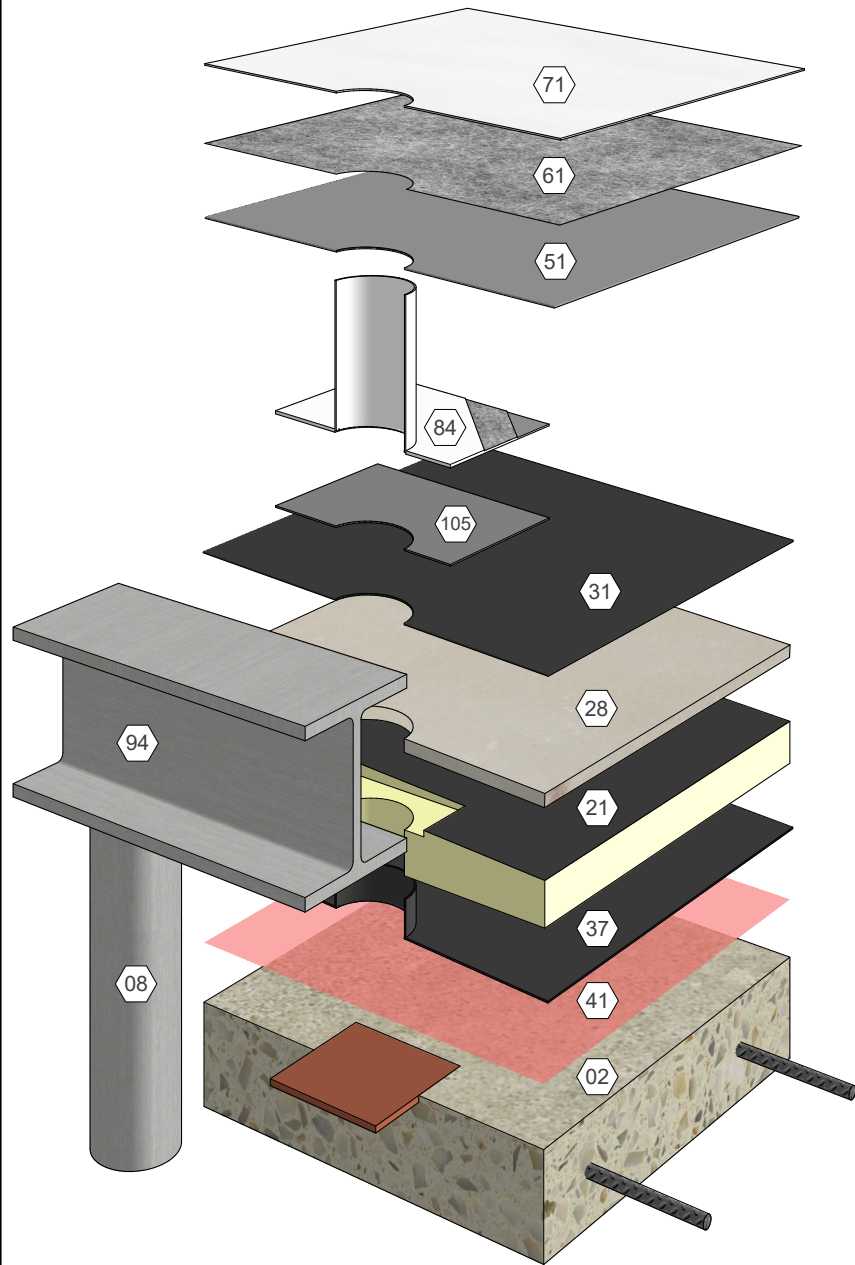


KEY NOTES

- | | | |
|--|----------------------------------|-------------------------------------|
| 01 Metal Deck | 28 Cover Board (Adhered) | 61 AlphaGuard Glass Mat or Permafab |
| 08 Equipment Support Stand Leg | 31 Approved Base Ply Sheet | 71 AlphaGuard MT/MTS Top Coat |
| 09 Roof Structure | 37 Approved Base Sheet (Adhered) | 84 AlphaGuard Flashing |
| 22 Polyisocyanurate Insulation (Fastened or Adhered) | 41 Approved Primer | 94 Equipment Support |
| | 51 AlphaGuard MT/MTS Base Coat | 105 Target Patch |

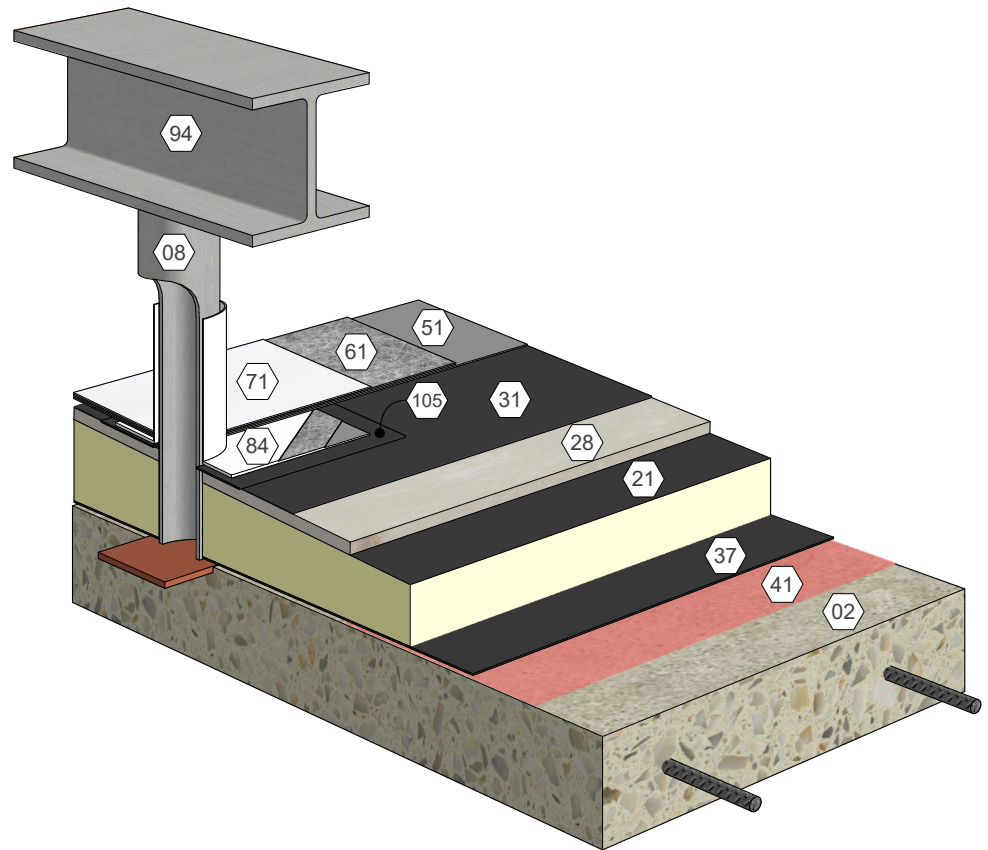


AlphaGuard® MT/MTS Plus Equipment Support Stand Leg, Temp. Roof, Metal Deck
Detail 32111

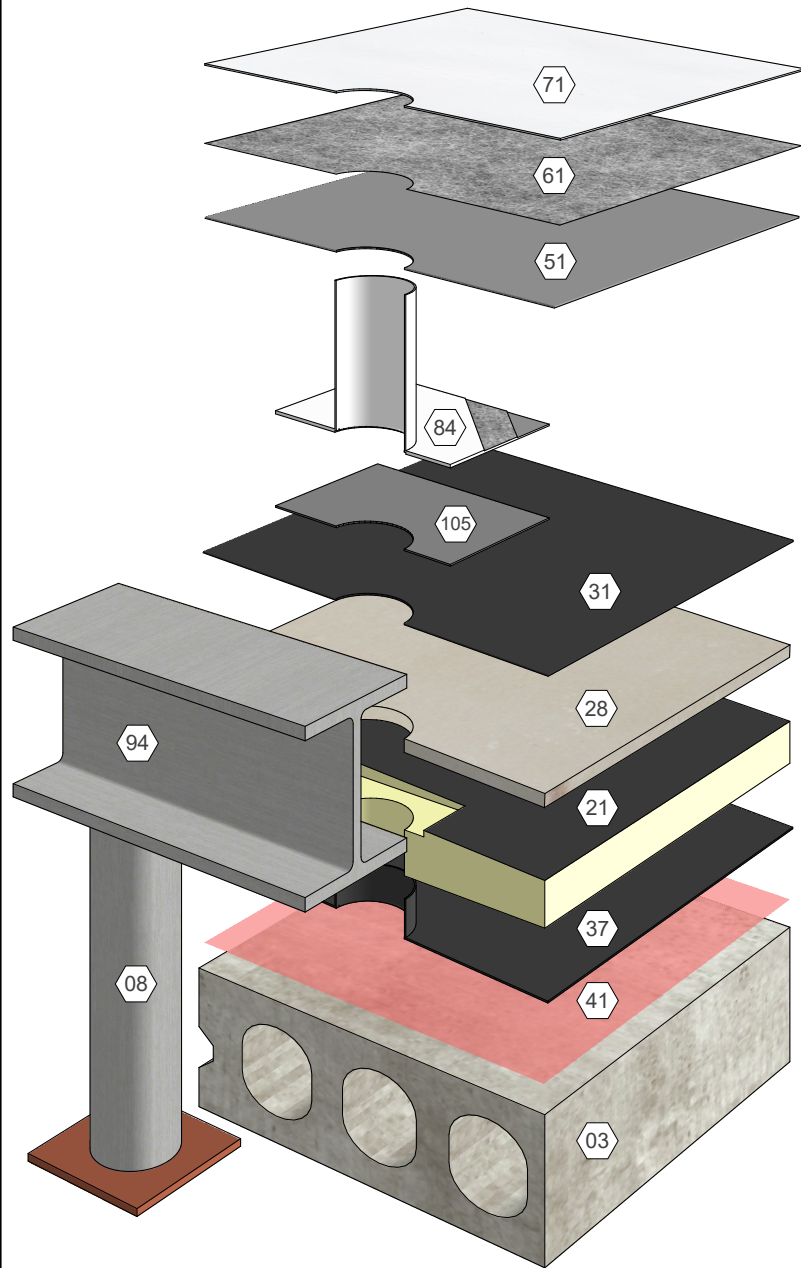


KEY NOTES

- | | | | | | |
|----|---------------------------------------|----|-------------------------------|-----|----------------------------------|
| 02 | Structural Concrete Deck | 31 | Approved Base Ply Sheet | 61 | AlphaGuard Glass Mat or Permafab |
| 08 | Equipment Support Stand Leg | 37 | Approved Base Sheet (Adhered) | 71 | AlphaGuard MT/MTS Top Coat |
| 21 | Polyisocyanurate Insulation (Adhered) | 41 | Approved Primer | 84 | AlphaGuard Flashing |
| 28 | Cover Board (Adhered) | 51 | AlphaGuard MT/MTS Base Coat | 94 | Equipment Support |
| | | | | 105 | Target Patch |

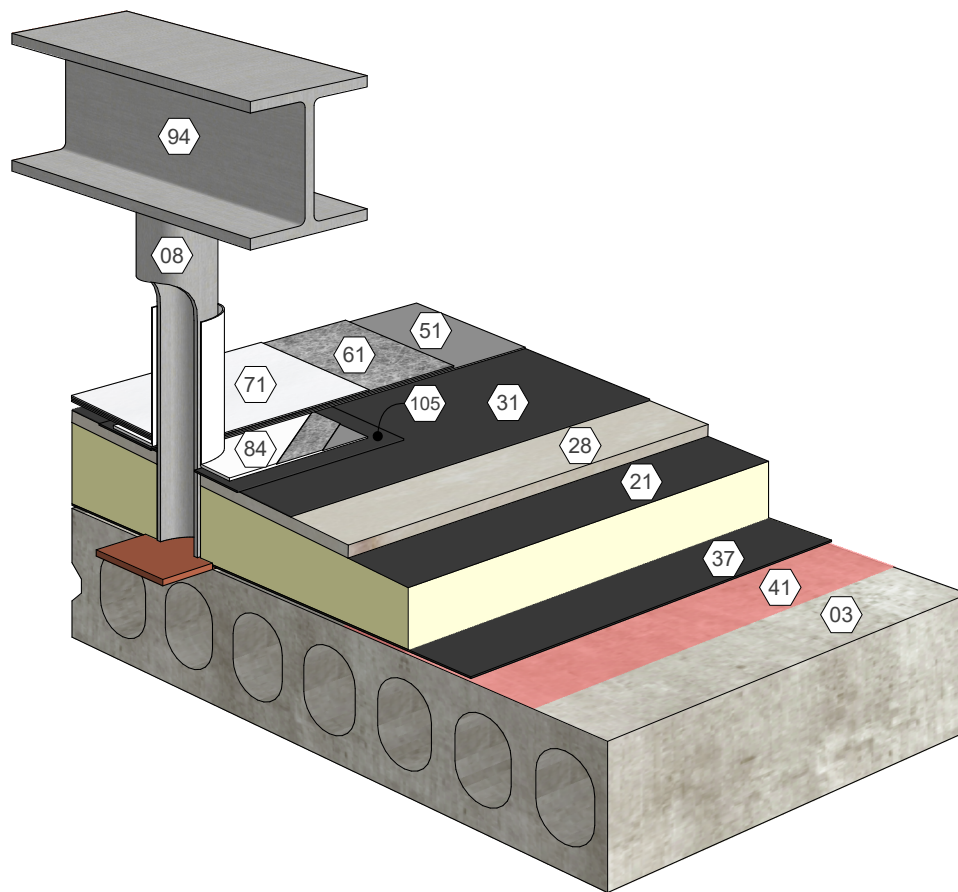


AlphaGuard® MT/MTS Plus Equipment Support Stand Leg, Temp. Roof, Structural Concrete Deck
Detail 32112

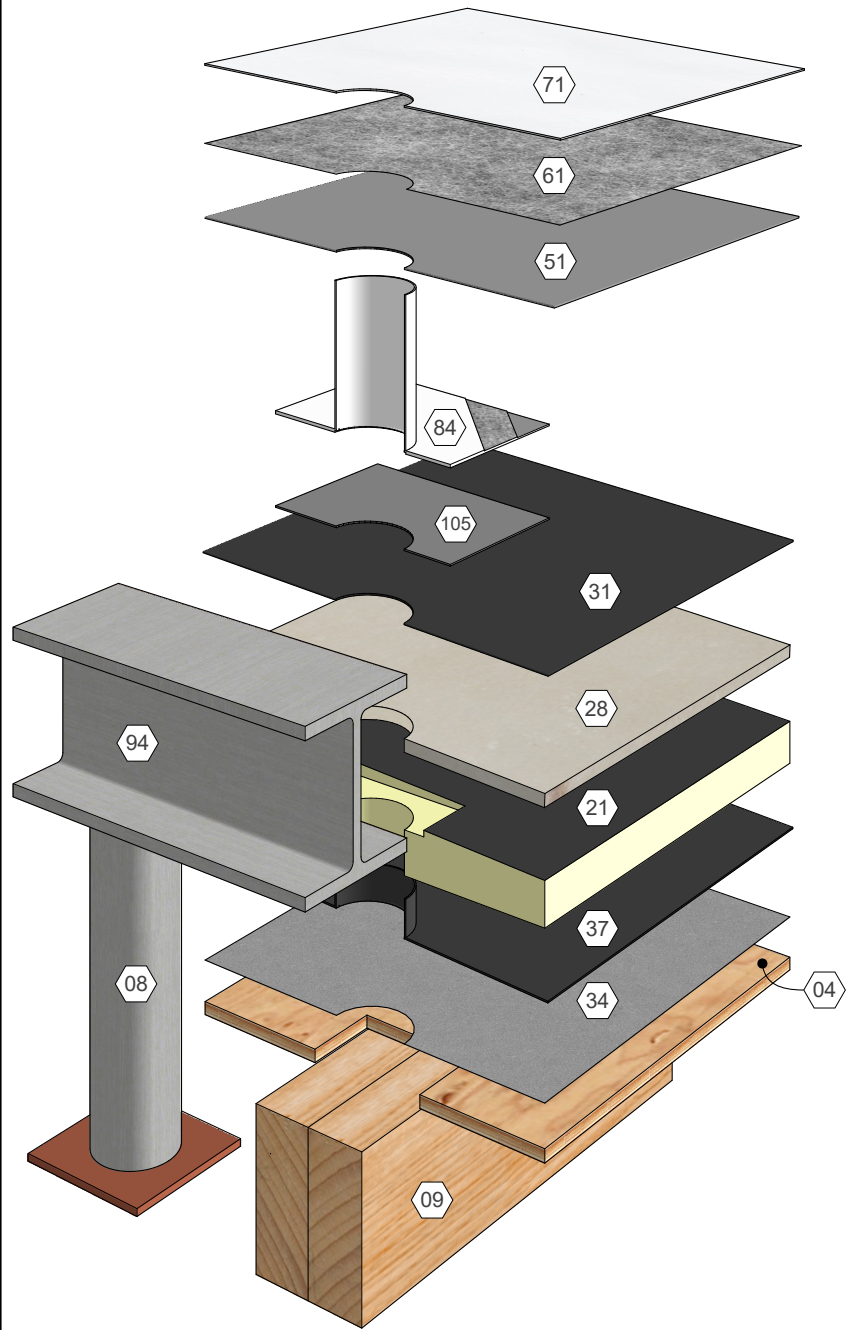


KEY NOTES

- | | | |
|---|-----------------------------------|--------------------------------------|
| 03) Precast Concrete Deck | 37) Approved Base Sheet (Adhered) | 61) AlphaGuard Glass Mat or Permafab |
| 08) Equipment Support Stand Leg | 41) Approved Primer | 71) AlphaGuard MT/MTS Top Coat |
| 21) Polyisocyanurate Insulation (Adhered) | 31) Approved Base Ply Sheet | 84) AlphaGuard Flashing |
| 28) Cover Board (Adhered) | 51) AlphaGuard MT/MTS Base Coat | 94) Equipment Support Coat |
| | | 105) Target Patch |

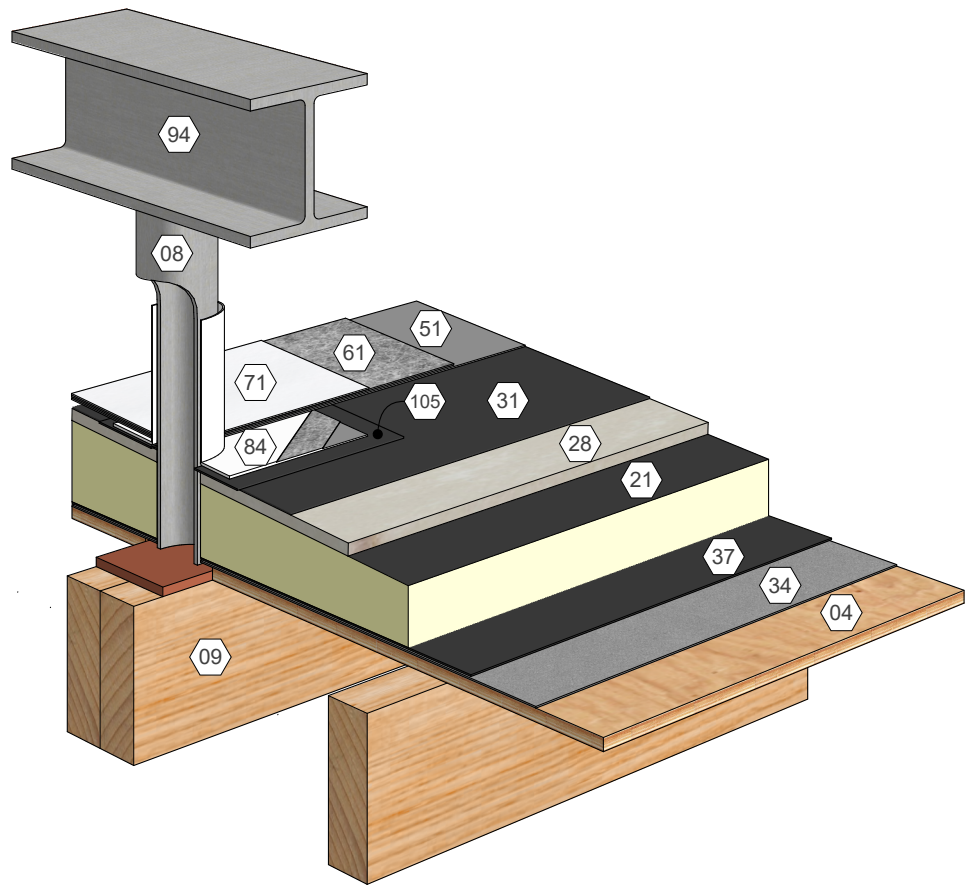


AlphaGuard® MT/MTS Plus Equipment Support Stand Leg, Temp. Roof, Precast Concrete Deck
Detail 32113

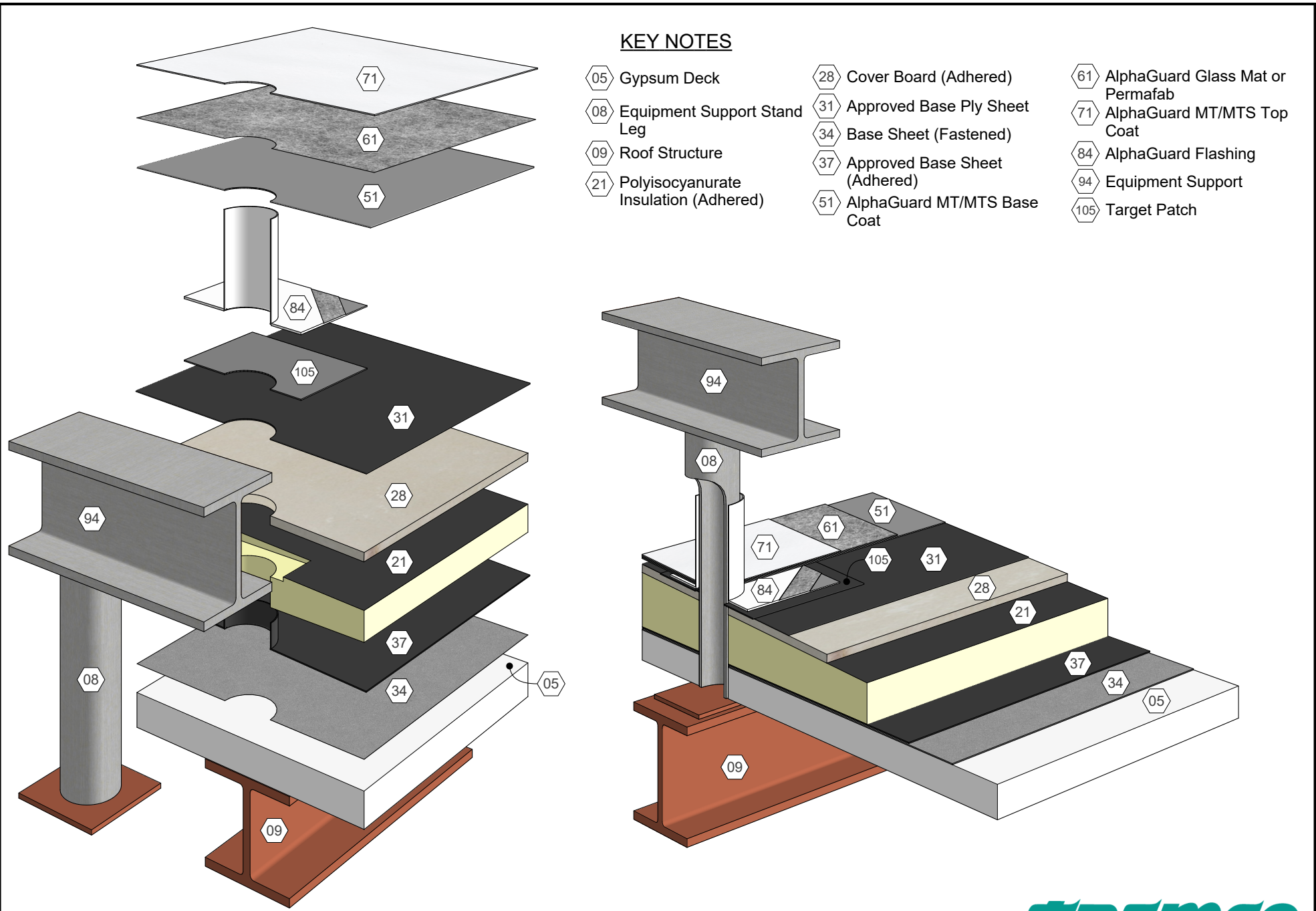


KEY NOTES

- | | | |
|--|------------------------------------|---------------------------------------|
| (04) Wood Deck | (28) Cover Board (Adhered) | (61) AlphaGuard Glass Mat or Permafab |
| (08) Equipment Support Stand Leg | (31) Approved Base Ply Sheet | (71) AlphaGuard MT/MTS Top Coat |
| (09) Roof Structure | (34) Base Sheet (Fastened) | (84) AlphaGuard Flashing |
| (21) Polyisocyanurate Insulation (Adhered) | (37) Approved Base Sheet (Adhered) | (94) Equipment Support |
| | (51) AlphaGuard MT/MTS Base Coat | (105) Target Patch |



AlphaGuard® MT/MTS Plus Equipment Support Stand Leg, Temp. Roof, Wood Deck
Detail 32114



KEY NOTES

- 05 Gypsum Deck
- 08 Equipment Support Stand Leg
- 09 Roof Structure
- 21 Polyisocyanurate Insulation (Adhered)
- 28 Cover Board (Adhered)
- 31 Approved Base Ply Sheet
- 34 Base Sheet (Fastened)
- 37 Approved Base Sheet (Adhered)
- 51 AlphaGuard MT/MTS Base Coat
- 61 AlphaGuard Glass Mat or Permafab
- 71 AlphaGuard MT/MTS Top Coat
- 84 AlphaGuard Flashing
- 94 Equipment Support
- 105 Target Patch

AlphaGuard® MT/MTS Plus Equipment Support Stand Leg, Temp. Roof, Gypsum Deck
 Detail 32115

